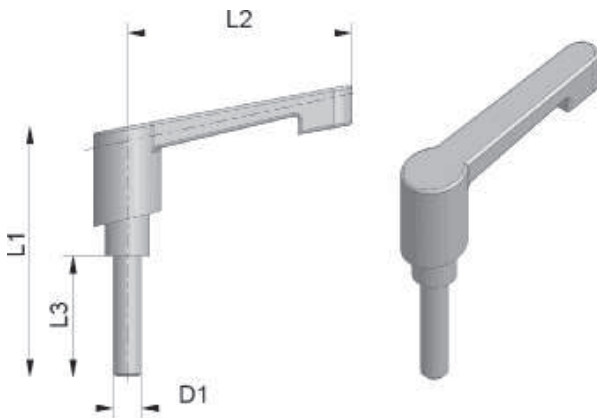
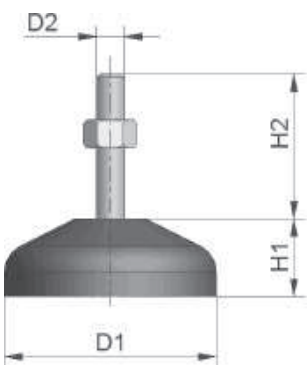


Bauform KLH und GSF / Type KLH and GSF



Bauform / Type KLH

D1	L1	L2	L3	Schraube Screw	Hebel Handle	Bestellnummer Order number	Preis Price	L2 alternative	Bestellnummer Order number	Preis Price
M6	50	42	25	Stahl / Steel	unlackiert / not lacquered	KLH 06 025 BR ZD	2,89 €	65	KLH 06 025 BR ZD - VH	3,82 €
					schwarz / black	KLH 06 025 BR SW	3,12 €		KLH 06 025 BR SW - VH	4,04 €
					orange / orange	KLH 06 025 BR OR			KLH 06 025 BR OR - VH	
				Edelstahl Stainless steel	unlackiert / not lacquered	KLH 06 025 ED ZD	6,22 €		KLH 06 025 ED ZD - VH	7,96 €
					schwarz / black	KLH 06 025 ED SW	6,45 €		KLH 06 025 ED SW - VH	8,19 €
					orange / orange	KLH 06 025 ED OR			KLH 06 025 ED OR - VH	
M8	71	65	40	Stahl / Steel	unlackiert / not lacquered	KLH 08 040 BR ZD	3,45 €	78	KLH 08 040 BR ZD - VH	4,67 €
					schwarz / black	KLH 08 040 BR SW	3,67 €		KLH 08 040 BR SW - VH	4,89 €
					orange / orange	KLH 08 040 BR OR			KLH 08 040 BR OR - VH	
				Edelstahl Stainless steel	unlackiert / not lacquered	KLH 08 040 ED ZD	6,79 €		KLH 08 040 ED ZD - VH	8,35 €
					schwarz / black	KLH 08 040 ED SW	7,00 €		KLH 08 040 ED SW - VH	8,57 €
					orange / orange	KLH 08 040 ED OR			KLH 08 040 ED OR - VH	
M10	106	78	63	Stahl / Steel	unlackiert / not lacquered	KLH 10 063 BR ZD	5,56 €	92	KLH 10 063 BR ZD - VH	6,48 €
					schwarz / black	KLH 10 063 BR SW	5,78 €		KLH 10 063 BR SW - VH	6,69 €
					orange / orange	KLH 10 063 BR OR			KLH 10 063 BR OR - VH	
				Edelstahl Stainless steel	unlackiert / not lacquered	KLH 10 063 ED ZD	7,78 €		KLH 10 063 ED ZD - VH	9,04 €
					schwarz / black	KLH 10 063 ED SW	8,00 €		KLH 10 063 ED SW - VH	9,28 €
					orange / orange	KLH 10 063 ED OR			KLH 10 063 ED OR - VH	



Bauform / Type GSF

ØD1	D2	H1	H2	Ausführung Version	Bestellnummer Order number	Preis Price
60	M8	23	43	Kunststoffteller PA schwarz / Joint plate PA black	GSF 08 060 KU VZ	5,01 €
60	M10	23	68		GSF 10 060 KU VZ	5,11 €
60	M12	23	68		GSF 12 080 KU VZ	9,34 €
80	M16	23	108		GSF 16 080 KU VZ	9,34 €

Bitte beachten Sie die Mindestabnahmemenge für GSF von 50 Stück / Please note the minimum quantity order of 50 pieces for GSF

Important notice: Explanation of the order number (order codes) and additionally some order examples see page 15 + 16. Further options for clamps, like other screws, clamping levers in different sizes, surface treatment and coating, and special treatments see page 18 and upwards. Suitable tubes in steel, stainless steel and aluminium up to maximum 6000 mm in any desired length (up from 500 mm with no extra charge for cutting), inside and outside deburred, see page 122 and upwards.

INOCON GmbH
Industriestraße 31 • 53359 Rheinbach
Tel.: (+49) 0 22 26 - 909 87-0
Fax: (+49) 0 22 26 - 909 87-99