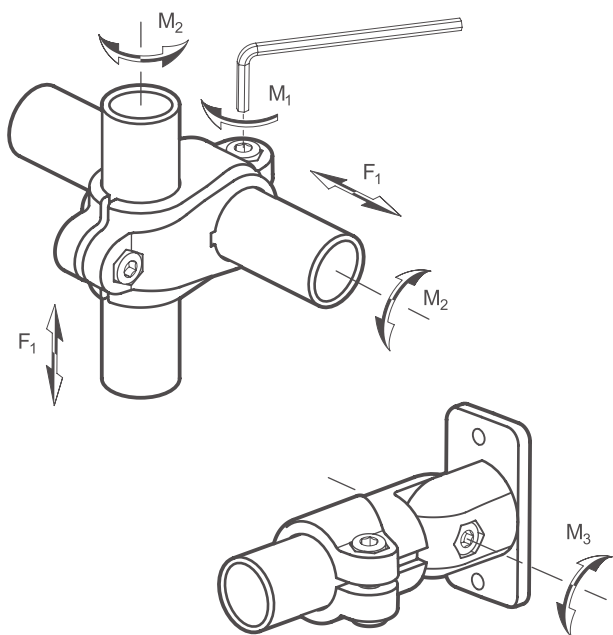


Appendix / Load rating of plastic tube clamps with and without adapter bushings



The load values of the plastic tube clamps are listed in the tables below.

If the bore diameters of the tube clamp are reduced with adapter bushings RBS.P, this has an influence on the displacement force and the twisting moment.

For joint clamps, the maximum torque of the joint axis is also indicated.

The values were determined using tubes with a tolerance of ± 0.2 mm.

NOTE

The load values given are non-binding guide values to the exclusion of any liability. In general, they do not constitute a commitment to quality.

The user must determine whether a product is suitable for the intended use in each individual case. Environmental influences and aging may affect the specified values.

Standard	Bore of the tube clamp	Order key Adapter bushing used	Screw point tightening torque M_1 in Nm	Displacement force F_1 in N	Twisting moment M_2 in Nm
KS.P p. 2	B12	RBS.P-18-B12-29-*	5	1250	5
	B14	RBS.P-18-B14-29-*	5	1650	10
	B15	RBS.P-18-B15-29-*	5	1650	14
	B16	RBS.P-18-B16-29-*	5	2000	14
	B18	-	5	2150	17
	B20	RBS.P-30-B20-45-*	12	1000	5
	B25	RBS.P-30-B25-45-*	12	1300	7
	B30	-	12	1350	21
FSZ.P p. 4	B12	RBS.P-18-B12-29-*	5	900	5
	B14	RBS.P-18-B14-29-*	5	1050	8
	B15	RBS.P-18-B15-29-*	5	1100	13
	B16	RBS.P-18-B16-29-*	5	1200	14
	B18	-	5	1450	16
	B20	RBS.P-30-B20-45-*	12	1150	7
	B25	RBS.P-30-B25-45-*	12	1600	7
	B30	-	12	1800	27
BS.P p. 6	B12	RBS.P-18-B12-29-*	5	900	5
	B14	RBS.P-18-B14-29-*	5	1000	7
	B15	RBS.P-18-B15-29-*	5	1000	7
	B16	RBS.P-18-B16-29-*	5	1050	7
	B18	-	5	1050	8
	B20	RBS.P-30-B20-45-*	12	1000	8
	B25	RBS.P-30-B25-45-*	12	1350	11
	B30	-	12	1650	33

Appendix / Load rating of plastic tube clamps with and without adapter bushings

Standard	Bore of the tube clamp	Order key Adapter bushing used	Screw point tightening torque M_1 in Nm	Displacement force F_1 in N	Twisting moment M_2 in Nm
TS.P <i>p. 8</i>	B12	RBS.P-18-B12-29-*	5	900	5
	B14	RBS.P-18-B14-29-*	5	1200	7
	B15	RBS.P-18-B15-29-*	5	1200	11
	B16	RBS.P-18-B16-29-*	5	1250	12
	B18	-	5	1450	14
	B20	RBS.P-30-B20-45-*	12	1000	6
	B25	RBS.P-30-B25-45-*	12	1400	7
	B30	-	12	1650	17
MS.P <i>p. 10</i>	B12	RBS.P-18-B12-29-*	5	900	5
	B14	RBS.P-18-B14-29-*	5	1400	7
	B15	RBS.P-18-B15-29-*	5	1400	10
	B16	RBS.P-18-B16-29-*	5	1300	11
	B18	-	5	1100	13
	B20	RBS.P-30-B20-45-*	12	1000	6
	B25	RBS.P-30-B25-45-*	12	1300	7
	B30	-	12	1400	25

Standard	Bore of the tube clamp	Order key Adapter bushing used	Screw point tightening torque M_1 in Nm	Displacement force F_1 in N	Twisting moment M_2 in Nm	Joint axis twisting moment M_3 in Nm	
						Type S	Type T
LST.P <i>p. 14</i>	B20	RBS.P-30-B20-45-*	12	1600	12	-	-
	B25	RBS.P-30-B25-45-*	12	2700	15	-	-
	B30	-	12	3300	33	-	-
LSQ.P <i>p. 16</i>	B20	RBS.P-30-B20-45-*	12	1600	12	-	-
	B25	RBS.P-30-B25-45-*	12	2700	15	-	-
	B30	-	12	3000	33	-	-
GSF.P <i>p. 18</i>	B20	RBS.P-30-B20-45-*	12	1600	12	6	100
	B25	RBS.P-30-B25-45-*	12	2700	15	6	100
	B30	-	12	3300	33	6	100
GSFQ.P <i>p. 20</i>	B20	RBS.P-30-B20-45-*	12	1600	12	4	100
	B25	RBS.P-30-B25-45-*	12	2700	15	4	100
	B30	-	12	3000	33	4	100
GST.P <i>p. 22</i>	B20	RBS.P-30-B20-45-*	12	1600	12	6	140
	B25	RBS.P-30-B25-45-*	12	2700	15	6	140
	B30	-	12	3300	33	6	140
GSQ.P <i>p. 24</i>	B20	RBS.P-30-B20-45-*	12	1600	12	4	120
	B25	RBS.P-30-B25-45-*	12	2700	15	4	120
	B30	-	12	3000	33	4	120